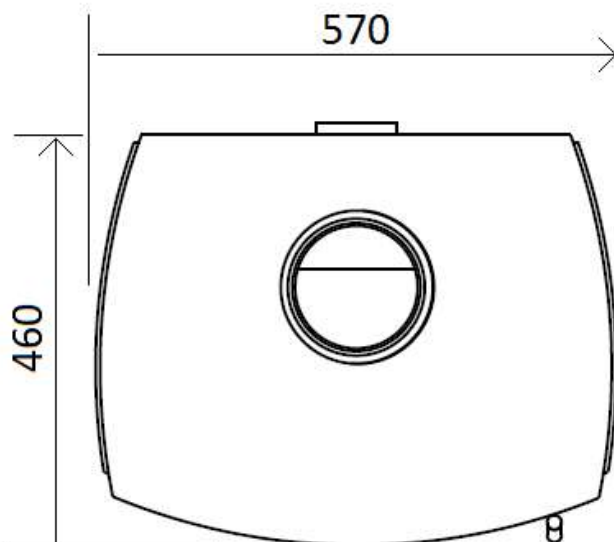
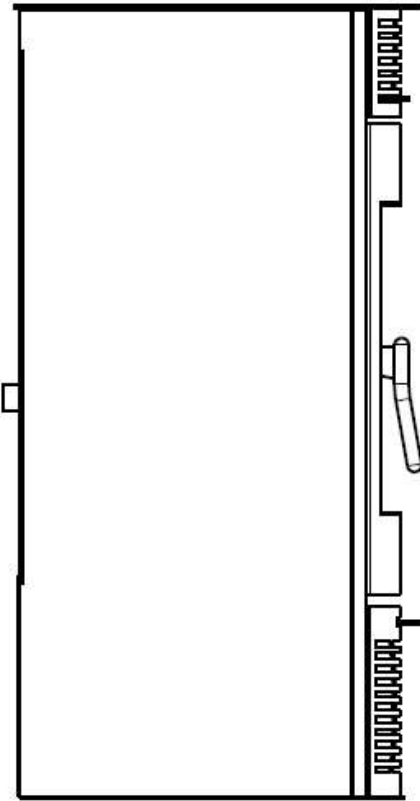
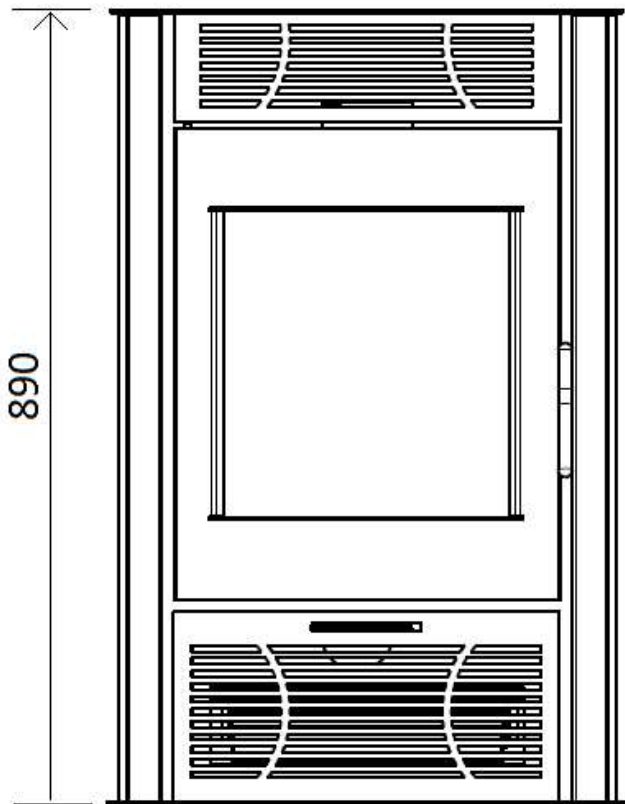


FHT Stove



The Hoşseven FHT Stove connects directly to any central heating system via a pumped circuit. The connection is not restricted in size or route to the stove. A low-noise, low-power fan diverts heat to the central heating circuit. The fan and pump require connection to the 'mains' 230V ac supply.

Further specification and installation details will be provided on launch of the product. All data is subject to confirmation.

Nominal total output (to air with fan 'off')	6 kW
Output to water when fan 'on'	Up to 3 kW
Height	890 cm
Width	570 cm
Depth	460 cm
Weight	82 kg
Flue connection	Top
Flue diameter	150 mm
Fuel type	Wood burning only